

COM-2B Series

Crossover Manifold Regulator System



The COM-2B Series crossover manifold system uses two PR-1-type stainless steel regulators (PR-2-type brass, optional) built in a single body functioning as the changeover regulators with the common outlet port connected to a single line regulator to provide constant unchanging supply pressure unaffected by supply source depletion. All are mounted on a bracket complete with gauges. As the primary supply source depletes and the operating outlet pressure of the primary regulator falls below the preset changeover pressure of the secondary regulator, the secondary regulator takes over. Once this occurs, the primary regulator can be manually adjusted 1/8-turn counterclockwise, the secondary regulator is now the primary and the depleted supply source can be replaced.

Features & Specifications

- Bracket-mounted for easy installation
- Allows changing of cylinders during operation*
- Available in stainless steel, brass and Monel®
- Steady outlet pressure during cylinder depletion
- 0.01% pressure control accuracy
- Inlet pressures to 6000 psig
- Outlet pressure ranges: 0–10 psig, 0–25 psig, 0–50 psig, 0–100 psig or 0–250 psig
- Changeover pressures: 15–250 psig
- Cv flow coefficients: 0.025, 0.06, 0.2, 0.5
- All connections: 1/4" FNPT
- 20 micron inlet filters
- 316L stainless steel construction
- Teflon®-lined stainless steel diaphragm
- Operating temperatures: –40° F to +500° F (–40° C to +260° C)

* Installation of shut off valves in each inlet port is recommended for complete isolation during change out of cylinders.

GO Regulator

405 Centura Court • PO Box 4866 (29305) • Spartanburg, SC 29303
Phone (864) 574-7966 Fax (864) 574-5608
www.goreg.com • sales@goreg.com

pressure regulators

COM-2B Series

How to Order

Standard items in bold

COM2 - 1 A 3 B J 1 1 C L

BODY MATERIAL

- 1** 316L stainless steel
- 2 Brass

SEAT MATERIAL

- A** Tefzel®
- B** CF Teflon®
- C** Polyimide
- H** PCTFE (formerly Kel-F® 81)
- I** High density Teflon®
- Q** PEEK™

FLOW COEFFICIENT (Cv)

- 3** 0.06
- 5 0.2
- C** 0.025
- H** 0.5

PANEL TYPE

- B** Bracket

COMBO REGULATOR SET POINT

- J** 150 psig over output regulator range

COMBO REGULATOR PRESSURE GAUGES

- 1** With gauges
- 2 Less gauges
- 3 Customer-supplied

OUTPUT REGULATOR PORT CONFIGURATION

- A** A style
- B** B style
- C** C style
- D** D style
- E** E style
- G** G style
- L** L style
- Q** Q style

OUTPUT REGULATOR OUTPUT RANGE

- C** 0-10 psig
- D** 0-25 psig
- E** 0-50 psig
- G** 0-100 psig
- I** 0-250 psig

OUTPUT REGULATOR PRESSURE GAUGES

- 1** With gauges
- 2 Less gauges
- 3 Customer-supplied

For a full list of options, visit the selection matrix for this product on www.goreg.com

Maximum Temperature & Operating Inlet Pressures

Stainless steel

SEAT MATERIAL	MAXIMUM TEMPERATURE*	MAXIMUM OPERATING INLET PRESSURE
Tefzel®	150° F (66° C)	@ 3600 psig (24.82 MPa)
High density Teflon®	150° F (66° C)	@ 3600 psig (24.82 MPa)
PCTFE (formerly Kel-F® 81)	175° F (80° C)	@ 6000 psig (41.37 MPa)
Polyimide	500° F (260° C)	@ 3600 psig (24.82 MPa)
Polyimide	175° F (80° C)	@ 6000 psig (41.37 MPa)
PEEK™	500° F (260° C)	@ 3600 psig (24.82 MPa)
PEEK™	175° F (80° C)	@ 6000 psig (41.37 MPa)

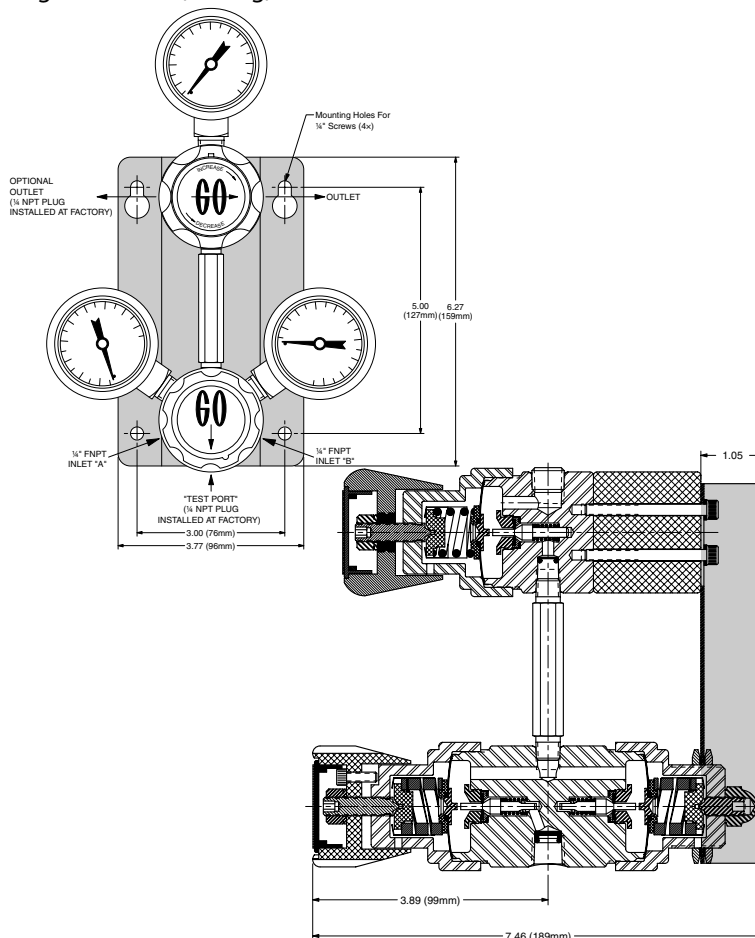
* Temperatures in excess of 175° F (80° C) require the use of a metal knob or the tamper-proof option.

Brass

SEAT MATERIAL	MAXIMUM TEMPERATURE	MAXIMUM OPERATING INLET PRESSURE
Tefzel®	150° F (66° C)	@ 3600 psig (24.82 MPa)
High density Teflon®	150° F (66° C)	@ 3600 psig (24.82 MPa)
PCTFE (formerly Kel-F® 81)	175° F (80° C)	@ 6000 psig (41.37 MPa)
Polyimide	500° F (260° C)	@ 3600 psig (24.82 MPa)
Polyimide	175° F (80° C)	@ 6000 psig (41.37 MPa)
PEEK™	500° F (260° C)	@ 3600 psig (24.82 MPa)
PEEK™	175° F (80° C)	@ 6000 psig (41.37 MPa)

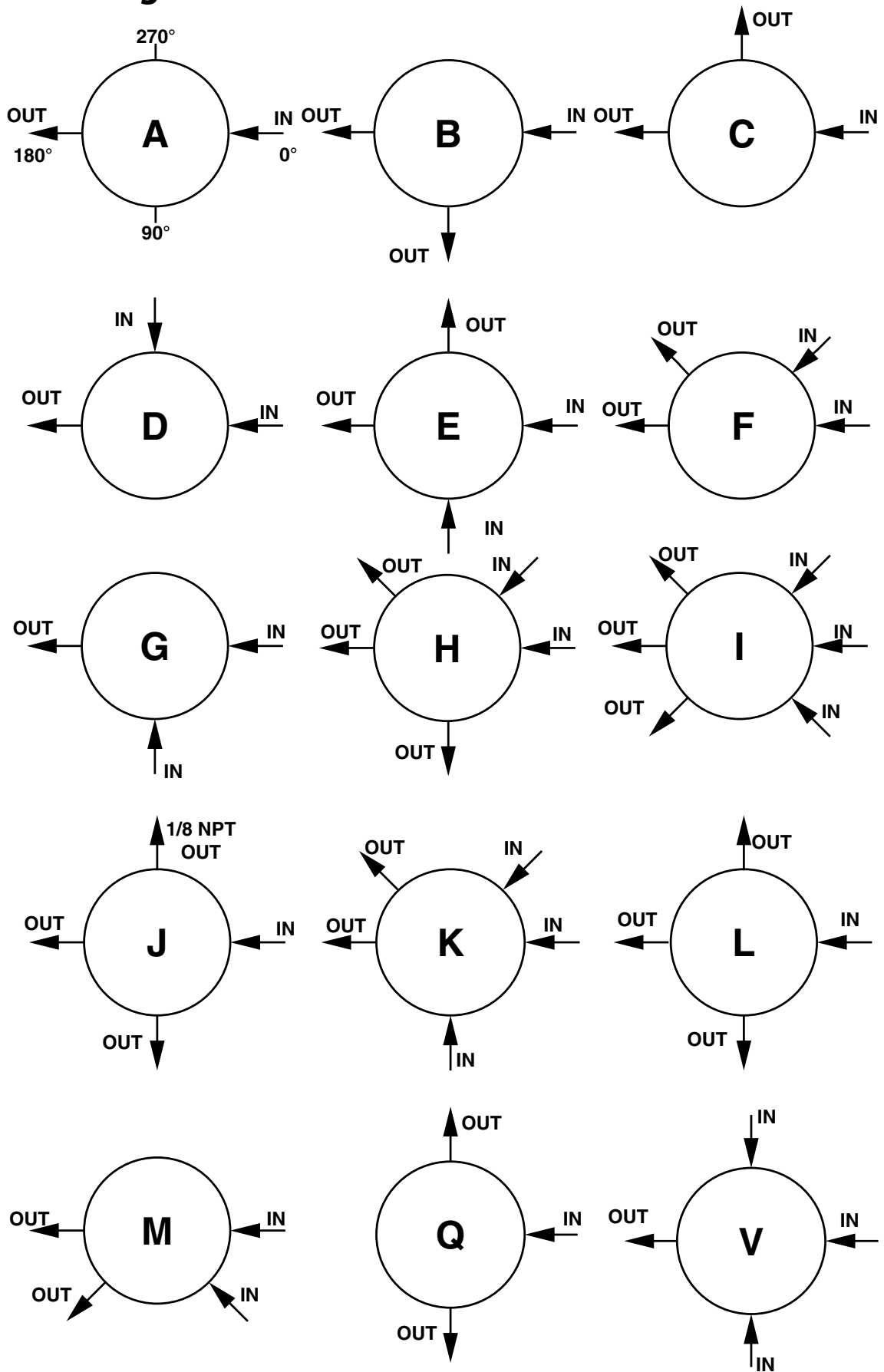
Outline & Mounting Dimensions

Weight = 7.3 lbs (3.31 kg)



Monel® is a registered trademark of Special Metals Corporation.
 Teflon® and Tefzel® are registered trademarks of the DuPont Company.
 Kel-F® is a registered trademark of 3M Company.
 PEEK™ is a trademark of Victrex PLC.

Porting Configurations for Cylinder Regulators



LOCATION OF PORTS FROM TOP VIEW



405 Centura Court
PO Box 4866 (29305)
Spartanburg, SC 29303
Tel (864) 574-7966
Fax (864) 587-5608

Circle Seal Controls, Inc.

2301 Wardlow Circle
PO Box 3300
Corona, CA 92880
Tel (951) 270-6200
Fax (951) 270-6201
www.circle-seal.com

GO Regulator

405 Centura Court
PO Box 4866 (29305)
Spartanburg, SC 29303
Tel (864) 574-7966
Fax (864) 587-5608
www.goreg.com

HOKE, Inc.

405 Centura Court
PO Box 4866
Spartanburg, SC 29303
Tel (864) 574-7966
Fax (864) 587-5608
www.hoke.com

CIRCOR Instrumentation, Ltd.

1-3 Bouverie Road
Harrow
Middlesex, HA1 4HB
UK
Tel +44 (0) 20 8423 0113
Fax +44 (0) 20 8864 7008
www.circor.co.uk

HOKE Controls

1901 Lynx Place
Ontario, CA 91761
Tel (909) 923-3770
Fax (909) 923-2550

Panels Plus

1901 Lynx Place
Ontario, CA 91761
Tel (909) 923-3770
Fax (909) 923-2550
www.circor-panelsplus.com

CIRCOR Tech

405 Centura Court
PO Box 4866 (29305)
Spartanburg, SC 29303
Tel (864) 574-7966
Fax (864) 587-5608
www.circortech.com

HOKE GmbH

Weitzesweg 11
Postfach 15 41
D-61118 Bad Vilbel-Dortelweil
Germany
Tel +49-6101-82 56 0
Fax +49-6101-82 54 0
www.hoke.de

TOMCO

51 Zima Park
PO Box 4866 (29305)
Spartanburg, SC 29303
Tel (864) 574-7966
Fax (864) 587-5608
www.tomcoquickcouplers.com

LIMITED WARRANTY

ALL CIRCLE SEAL CONTROLS, INC., GO REGULATOR, AND HOKE INC. PRODUCTS ARE MADE TO EXACTING STANDARDS OF DESIGN, MATERIAL, WORKMANSHIP AND QUALITY CONTROL AND ARE WARRANTED TO BE FREE OF DEFECTS IN MATERIAL AND WORKMANSHIP AND REASONABLY FIT FOR THE USES SET FORTH IN SELLER'S CATALOG OR THE CONTRACT SPECIFICATIONS FOR A PERIOD OF ONE YEAR AFTER SALE IF PROPERLY INSTALLED AND MAINTAINED AND UNDER THE NORMAL USE AND SERVICE FOR WHICH THE EQUIPMENT IS INTENDED. BUYER TO INSPECT THE GOODS WITHIN TEN DAYS OF DELIVERY AND TO THEN IMMEDIATELY NOTIFY SELLER OF ANY DEFECTS IN ORDER TO CLAIM A DEFECT. THIS WARRANTY IS IN LIEU OF ALL OTHER WARRANTIES WHETHER THEY ARE STATUTORY, EXPRESS OR IMPLIED, INCLUDING AMONG OTHER THINGS ANY IMPLIED WARRANTY OF MERCHANTABILITY FITNESS FOR A PARTICULAR PURCHASE NOT SET FORTH IN SELLER'S CATALOG, AND ALSO DOES NOT APPLY TO ANY PRODUCTS OF SELLER WHICH HAVE BEEN REPAIRED, ALTERED OR MODIFIED OR HAVE BEEN SUBJECT TO MISUSE OR ABUSE. SELLER IS NOT LIABLE FOR ANY CONSEQUENTIAL, INCIDENTAL OR SPECIAL DAMAGES RESULTING DIRECTLY OR INDIRECTLY FROM THE DESIGN, MATERIAL, WORKMANSHIP, OPERATION OR INSTALLATION OF ANY OF ITS PRODUCTS AND NEITHER ASSUMES NOR AUTHORIZES ANY OTHER PERSON TO ASSUME FOR IT ANY OTHER LIABILITY IN CONNECTION THEREWITH. BUYER'S EXCLUSIVE REMEDY SHALL BE THE REPAIR OR REPLACEMENT OF ANY SUCH DEFECTIVE PRODUCT AFTER VERIFICATION BY SELLER. THIS WARRANTY IS IN EFFECT UNLESS SUPERSEDED BY LIMITED WARRANTY, FORM NO. 2299 (4/83)