

CYL-1 Series

Single Stage Brass Cylinder; Gas Pressure Reducing Regulator



The CYL-1 Series is designed as a complete compact pressure control module. The basis of this unit is the economical PR-2 Series pressure control valve which is widely used in instrumentation sample systems as well as many other applications requiring maximum reliability. This regulator, when ordered with appropriate gauges and CGA inlet fitting, is designed for use as a compressed gas cylinder regulator for those applications where the corrosion resistance of stainless steel is not a requirement.

Features & Specifications

- CGA inlet fitting
- Integral inlet filter
- 2" diameter brass gauges
- Teflon®-lined stainless steel diaphragm
- Maximum inlet pressure: 3600 psig
- Outlet pressure ranges: 0–10 psig, 0–25 psig, 0–50 psig, 0–100 psig, 0–250, 0–500 and 0–750 psig
- Fluid media; non-corrosive gases
- Operating temperatures: –40° F to +175° F (–40° C to +80° C)
- Cv flow coefficients: 0.025, 0.06, 0.20

pressure regulators

GO Regulator

405 Centura Court • PO Box 4866 (29305) • Spartanburg, SC 29303
Phone (864) 574-7966 Fax (864) 574-5608
www.goreg.com • sales@goreg.com

CYL-1 Series

How to Order

Standard items in bold

C1 - 2 F 1 1 A 3 C 1 CGA Fitting **0 0 0 1**

BODY MATERIAL

2 Brass

PORT CONFIGURATION

F Standard

For more port configurations, see page 19.

PROCESS PORT TYPES

(GAUGE PORT TYPES, IF SPECIFIED)

1 1/4" FNPT (1/4" FNPT gauge ports)

4 3/8" FNPT (1/4" FNPT gauge ports)

DIAPHRAGM TYPE

1 Standard diaphragm

2 Diaphragm-attached poppet

3 Self-relieving

4 Vacuum-assist spring, standard diaphragm

5 Vacuum-assist spring, diaphragm-attached poppet

8 Tefzel® ring/stainless steel

SEAT MATERIAL

A Tefzel®

B CF Teflon®

C Polyimide

H PCTFE (formerly Kel-F® 81)

I High density Teflon®

Q PEEK™

GAUGES

1 Include gauges

2 Omit gauges

3 Customer-supplied

CGA FITTING

Use '000' to omit CGA

Use 'CUS' for customer-supplied CGA

CAP ASSEMBLY

1 Standard

4 Panel mount

OUTPUT RANGE

C 0-10 psig

D 0-25 psig

E 0-50 psig

G 0-100 psig

I 0-250 psig

J 0-500 psig

W 0-750 psig

FLOW COEFFICIENT (Cv)

3 0.06

5 0.2

C 0.025

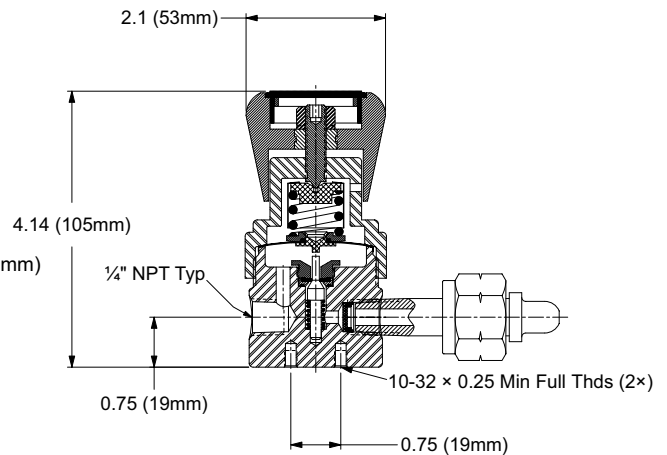
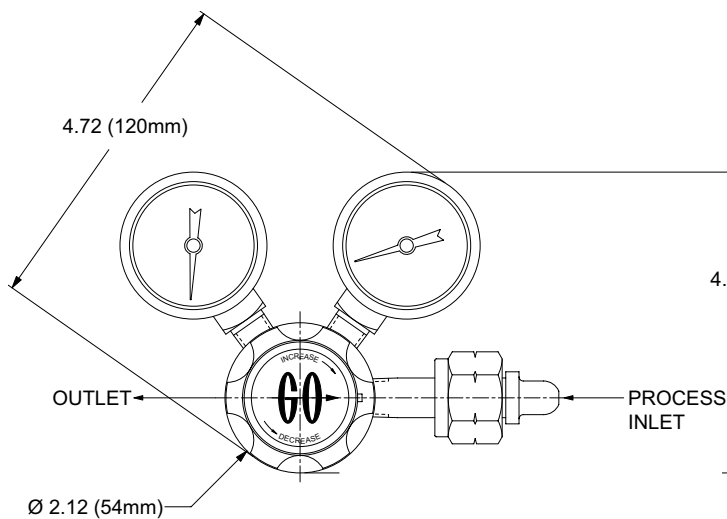
For a full list of options, visit the selection matrix for this product on www.goreg.com

Maximum Temperature & Operating Inlet Pressures

| SEAT MATERIAL | MAXIMUM TEMPERATURE | | MAXIMUM OPERATING INLET PRESSURE |
|----------------------------|---------------------|---|----------------------------------|
| Tefzel® | 150° F (66° C) | @ | 3600 psig (24.82 MPa) |
| High density Teflon® | 150° F (66° C) | @ | 3600 psig (24.82 MPa) |
| PCTFE (formerly Kel-F® 81) | 175° F (80° C) | @ | 3600 psig (24.82 MPa) |
| Polyimide | 175° F (80° C) | @ | 3600 psig (24.82 MPa) |
| PEEK™ | 175° F (80° C) | @ | 3600 psig (24.82 MPa) |

Outline & Mounting Dimensions

Weight = 1.9 lbs (0.86 kg)

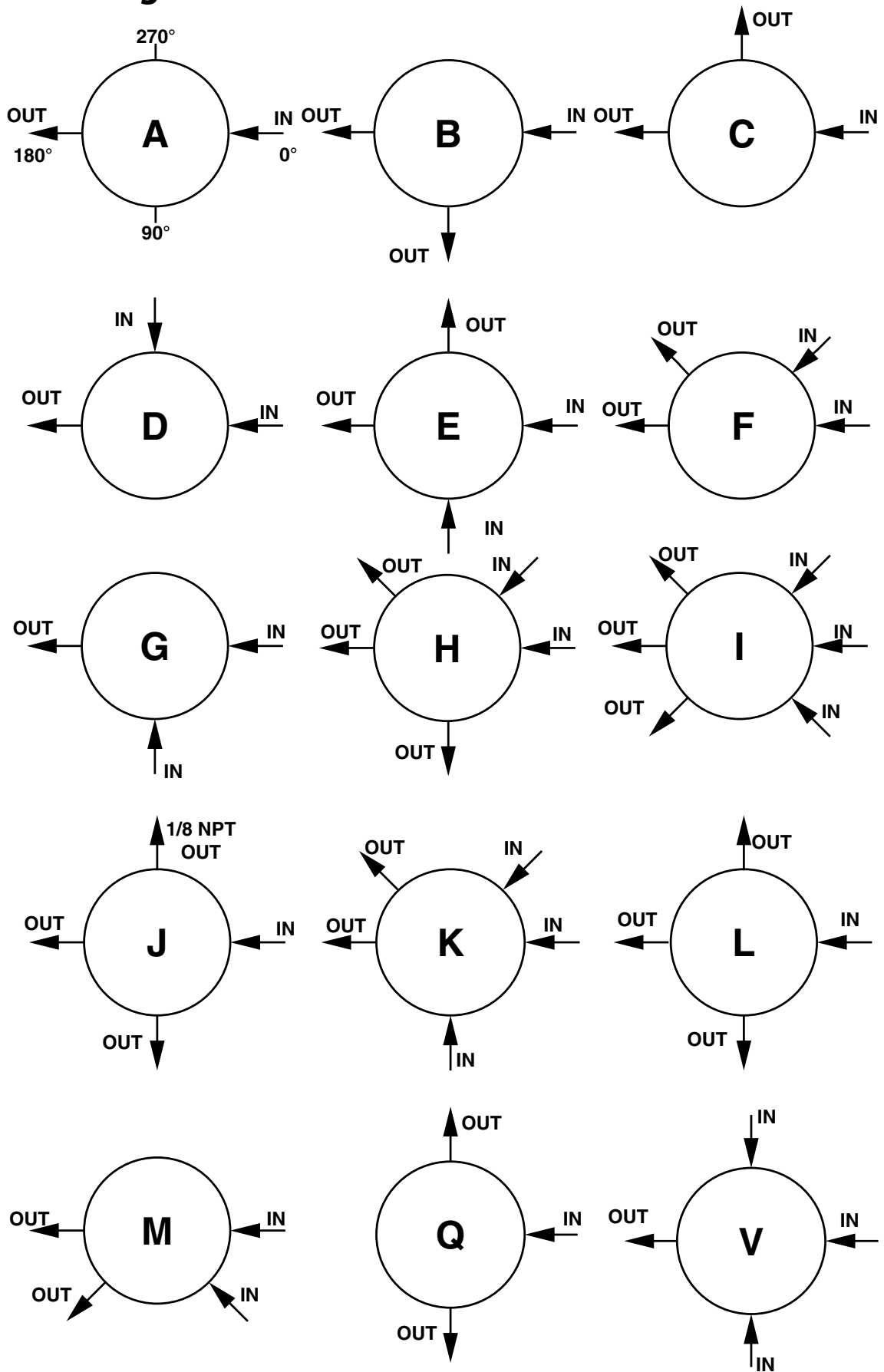


Teflon® and Tefzel® are registered trademarks of the DuPont Company.

Kel-F® is a registered trademark of 3M Company.

PEEK™ is a trademark of Victrex PLC.

Porting Configurations for Cylinder Regulators



LOCATION OF PORTS FROM TOP VIEW



405 Centura Court
PO Box 4866 (29305)
Spartanburg, SC 29303
Tel (864) 574-7966
Fax (864) 587-5608

Circle Seal Controls, Inc.

2301 Wardlow Circle
PO Box 3300
Corona, CA 92880
Tel (951) 270-6200
Fax (951) 270-6201
www.circle-seal.com

GO Regulator

405 Centura Court
PO Box 4866 (29305)
Spartanburg, SC 29303
Tel (864) 574-7966
Fax (864) 587-5608
www.goreg.com

HOKE, Inc.

405 Centura Court
PO Box 4866
Spartanburg, SC 29303
Tel (864) 574-7966
Fax (864) 587-5608
www.hoke.com

CIRCOR Instrumentation, Ltd.

1-3 Bouverie Road
Harrow
Middlesex, HA1 4HB
UK
Tel +44 (0) 20 8423 0113
Fax +44 (0) 20 8864 7008
www.circor.co.uk

HOKE Controls

1901 Lynx Place
Ontario, CA 91761
Tel (909) 923-3770
Fax (909) 923-2550

Panels Plus

1901 Lynx Place
Ontario, CA 91761
Tel (909) 923-3770
Fax (909) 923-2550
www.circor-panelsplus.com

CIRCOR Tech

405 Centura Court
PO Box 4866 (29305)
Spartanburg, SC 29303
Tel (864) 574-7966
Fax (864) 587-5608
www.circortech.com

HOKE GmbH

Weitzesweg 11
Postfach 15 41
D-61118 Bad Vilbel-Dortelweil
Germany
Tel +49-6101-82 56 0
Fax +49-6101-82 54 0
www.hoke.de

TOMCO

51 Zima Park
PO Box 4866 (29305)
Spartanburg, SC 29303
Tel (864) 574-7966
Fax (864) 587-5608
www.tomcoquickcouplers.com

LIMITED WARRANTY

ALL CIRCLE SEAL CONTROLS, INC., GO REGULATOR, AND HOKE INC. PRODUCTS ARE MADE TO EXACTING STANDARDS OF DESIGN, MATERIAL, WORKMANSHIP AND QUALITY CONTROL AND ARE WARRANTED TO BE FREE OF DEFECTS IN MATERIAL AND WORKMANSHIP AND REASONABLY FIT FOR THE USES SET FORTH IN SELLER'S CATALOG OR THE CONTRACT SPECIFICATIONS FOR A PERIOD OF ONE YEAR AFTER SALE IF PROPERLY INSTALLED AND MAINTAINED AND UNDER THE NORMAL USE AND SERVICE FOR WHICH THE EQUIPMENT IS INTENDED. BUYER TO INSPECT THE GOODS WITHIN TEN DAYS OF DELIVERY AND TO THEN IMMEDIATELY NOTIFY SELLER OF ANY DEFECTS IN ORDER TO CLAIM A DEFECT. THIS WARRANTY IS IN LIEU OF ALL OTHER WARRANTIES WHETHER THEY ARE STATUTORY, EXPRESS OR IMPLIED, INCLUDING AMONG OTHER THINGS ANY IMPLIED WARRANTY OF MERCHANTABILITY FITNESS FOR A PARTICULAR PURCHASE NOT SET FORTH IN SELLER'S CATALOG, AND ALSO DOES NOT APPLY TO ANY PRODUCTS OF SELLER WHICH HAVE BEEN REPAIRED, ALTERED OR MODIFIED OR HAVE BEEN SUBJECT TO MISUSE OR ABUSE. SELLER IS NOT LIABLE FOR ANY CONSEQUENTIAL, INCIDENTAL OR SPECIAL DAMAGES RESULTING DIRECTLY OR INDIRECTLY FROM THE DESIGN, MATERIAL, WORKMANSHIP, OPERATION OR INSTALLATION OF ANY OF ITS PRODUCTS AND NEITHER ASSUMES NOR AUTHORIZES ANY OTHER PERSON TO ASSUME FOR IT ANY OTHER LIABILITY IN CONNECTION THEREWITH. BUYER'S EXCLUSIVE REMEDY SHALL BE THE REPAIR OR REPLACEMENT OF ANY SUCH DEFECTIVE PRODUCT AFTER VERIFICATION BY SELLER. THIS WARRANTY IS IN EFFECT UNLESS SUPERSEDED BY LIMITED WARRANTY, FORM NO. 2299 (4/83)