

## CYL-3 Series

High Pressure Economy Brass Cylinder Regulator



The CYL-3 Series is an economical brass high pressure regulator, designed to accept inlet pressures up to 3600 psig and deliver outlet pressures from 0–100 psig up to 0–2000 psig. This single-stage brass regulator is perfectly suited for cylinder usage with non-corrosive gases. Good regulation characteristics are provided by a carefully engineered piston sensor. Ease of outlet pressure adjustment is provided by the T-handle, which is offered as standard.

### **Features & Specifications**

- Inlet pressures up to 3600 psig
- Control pressures from 0–100 psig up to 0–2000 psig
- Brass (alloy 360) construction
- Stainless steel poppet
- 20 micron inlet filter
- Bubble-tight shutoff
- CGA connection with integral inlet filter
- 2" diameter brass gauges
- Cv flow coefficients: 0.06 (standard), 0.2 (optional)
- Better than 25 Ra finish in diaphragm cavity
- Optional relief valves and outlet shutoff valves

pressure regulators

### **GO Regulator**

405 Centura Court • PO Box 4866 (29305) • Spartanburg, SC 29303  
Phone (864) 574-7966 Fax (864) 574-5608  
www.goreg.com • sales@goreg.com

# CYL-3 Series

## How to Order

Standard items in bold

**C3 - 2 F 1 G 1 3 A 1** CGA Fitting **1**

**BODY MATERIAL**

**2 Brass**

**PORT CONFIGURATION**

**F Standard**

For more port configurations, see page 19.

**PROCESS PORT TYPES**

**(GAUGE PORT TYPE, IF SPECIFIED)**

- 0** 1/8" FNPT (1/8" FNPT gauge ports)
- 1** 1/4" FNPT (1/4" FNPT gauge ports)

**OUTPUT RANGE**

- G** 0-100 psig
- I** 0-250 psig
- J** 0-500 psig
- K** 0-1000 psig
- L** 0-2000 psig

**PISTON TYPE**

- 1 Non-self-relieving**
- 3 Self-relieving**

**GAUGES**

- 1** Include gauges
- 2** Omit gauges
- 3** Customer-supplied

**CGA FITTINGS**

Use '000' to omit CGA  
Use 'CUS' for customer-supplied CGA

**CAP ASSEMBLY**

- 1 Standard**
- 4** Panel mount
- 8** Tamper-proof
- A** Low torque
- Y** Hand knob

**SEAT MATERIAL**

- A Tefzel®**
- I** Teflon®

**FLOW COEFFICIENT (Cv)**

- 3 0.06**
- 5 0.2**

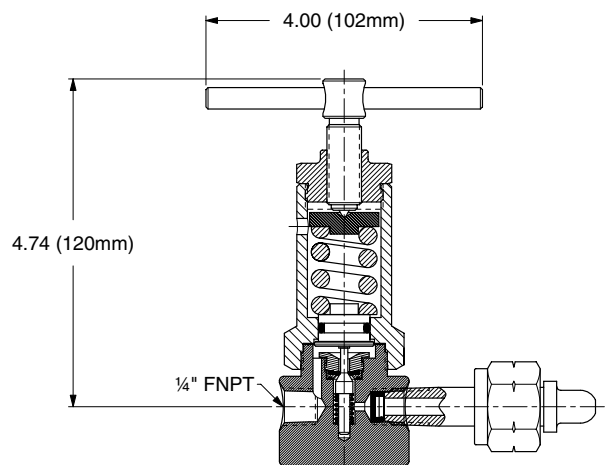
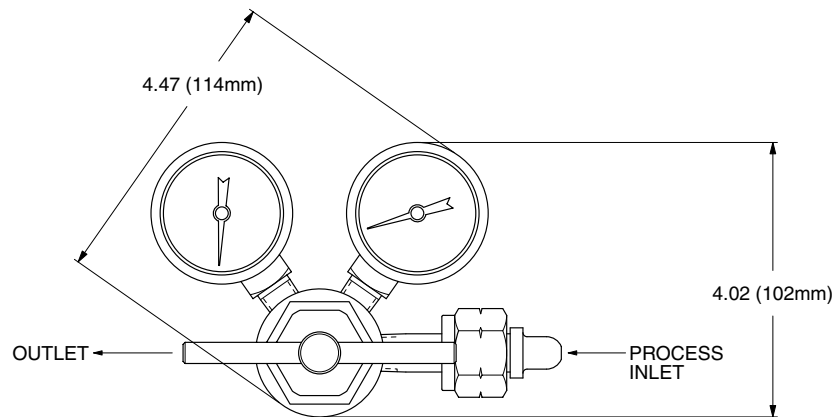
For a full list of options, visit the selection matrix for this product on [www.goreg.com](http://www.goreg.com)

## Maximum Temperature & Operating Inlet Pressures

SEAT MATERIAL	MAXIMUM TEMPERATURE		MAXIMUM OPERATING INLET PRESSURE
Tefzel®	150° F (66° C)	@	3600 psig (24.82 MPa)
High density Teflon®	150° F (66° C)	@	3600 psig (24.82 MPa)

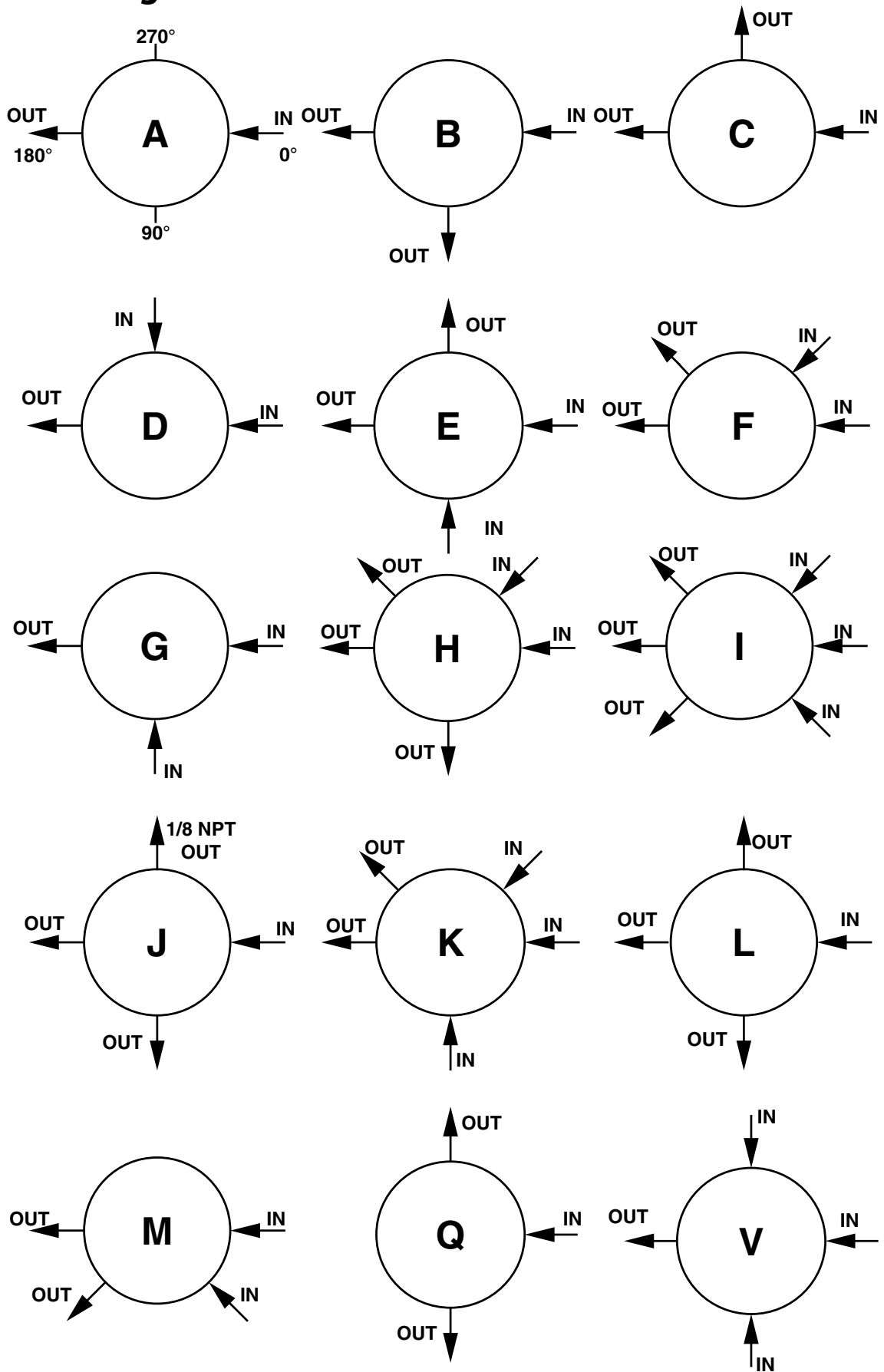
## Outline & Mounting Dimensions

Weight = 2.74 lbs (1.22 kg)



Teflon® and Tefzel® are registered trademarks of the DuPont Company.

# Porting Configurations for Cylinder Regulators



LOCATION OF PORTS FROM TOP VIEW



405 Centura Court  
PO Box 4866 (29305)  
Spartanburg, SC 29303  
Tel (864) 574-7966  
Fax (864) 587-5608

**Circle Seal Controls, Inc.**

2301 Wardlow Circle  
PO Box 3300  
Corona, CA 92880  
Tel (951) 270-6200  
Fax (951) 270-6201  
[www.circle-seal.com](http://www.circle-seal.com)

**GO Regulator**

405 Centura Court  
PO Box 4866 (29305)  
Spartanburg, SC 29303  
Tel (864) 574-7966  
Fax (864) 587-5608  
[www.goreg.com](http://www.goreg.com)

**HOKE, Inc.**

405 Centura Court  
PO Box 4866  
Spartanburg, SC 29303  
Tel (864) 574-7966  
Fax (864) 587-5608  
[www.hoke.com](http://www.hoke.com)

**CIRCOR Instrumentation, Ltd.**

1-3 Bouverie Road  
Harrow  
Middlesex, HA1 4HB  
UK  
Tel +44 (0) 20 8423 0113  
Fax +44 (0) 20 8864 7008  
[www.circor.co.uk](http://www.circor.co.uk)

**HOKE Controls**

1901 Lynx Place  
Ontario, CA 91761  
Tel (909) 923-3770  
Fax (909) 923-2550

**Panels Plus**

1901 Lynx Place  
Ontario, CA 91761  
Tel (909) 923-3770  
Fax (909) 923-2550  
[www.circor-panelsplus.com](http://www.circor-panelsplus.com)

**CIRCOR Tech**

405 Centura Court  
PO Box 4866 (29305)  
Spartanburg, SC 29303  
Tel (864) 574-7966  
Fax (864) 587-5608  
[www.circortech.com](http://www.circortech.com)

**HOKE GmbH**

Weitzesweg 11  
Postfach 15 41  
D-61118 Bad Vilbel-Dortelweil  
Germany  
Tel +49-6101-82 56 0  
Fax +49-6101-82 54 0  
[www.hoke.de](http://www.hoke.de)

**TOMCO**

51 Zima Park  
PO Box 4866 (29305)  
Spartanburg, SC 29303  
Tel (864) 574-7966  
Fax (864) 587-5608  
[www.tomcoquickcouplers.com](http://www.tomcoquickcouplers.com)

**LIMITED WARRANTY**

ALL CIRCLE SEAL CONTROLS, INC., GO REGULATOR, AND HOKE INC. PRODUCTS ARE MADE TO EXACTING STANDARDS OF DESIGN, MATERIAL, WORKMANSHIP AND QUALITY CONTROL AND ARE WARRANTED TO BE FREE OF DEFECTS IN MATERIAL AND WORKMANSHIP AND REASONABLY FIT FOR THE USES SET FORTH IN SELLER'S CATALOG OR THE CONTRACT SPECIFICATIONS FOR A PERIOD OF ONE YEAR AFTER SALE IF PROPERLY INSTALLED AND MAINTAINED AND UNDER THE NORMAL USE AND SERVICE FOR WHICH THE EQUIPMENT IS INTENDED. BUYER TO INSPECT THE GOODS WITHIN TEN DAYS OF DELIVERY AND TO THEN IMMEDIATELY NOTIFY SELLER OF ANY DEFECTS IN ORDER TO CLAIM A DEFECT. THIS WARRANTY IS IN LIEU OF ALL OTHER WARRANTIES WHETHER THEY ARE STATUTORY, EXPRESS OR IMPLIED, INCLUDING AMONG OTHER THINGS ANY IMPLIED WARRANTY OF MERCHANTABILITY FITNESS FOR A PARTICULAR PURCHASE NOT SET FORTH IN SELLER'S CATALOG, AND ALSO DOES NOT APPLY TO ANY PRODUCTS OF SELLER WHICH HAVE BEEN REPAIRED, ALTERED OR MODIFIED OR HAVE BEEN SUBJECT TO MISUSE OR ABUSE. SELLER IS NOT LIABLE FOR ANY CONSEQUENTIAL, INCIDENTAL OR SPECIAL DAMAGES RESULTING DIRECTLY OR INDIRECTLY FROM THE DESIGN, MATERIAL, WORKMANSHIP, OPERATION OR INSTALLATION OF ANY OF ITS PRODUCTS AND NEITHER ASSUMES NOR AUTHORIZES ANY OTHER PERSON TO ASSUME FOR IT ANY OTHER LIABILITY IN CONNECTION THEREWITH. BUYER'S EXCLUSIVE REMEDY SHALL BE THE REPAIR OR REPLACEMENT OF ANY SUCH DEFECTIVE PRODUCT AFTER VERIFICATION BY SELLER. THIS WARRANTY IS IN EFFECT UNLESS SUPERSEDED BY LIMITED WARRANTY, FORM NO. 2299 (4/83)