

GO REGULATOR

F-6K In-line or Bypass Filter



The F-6K in-line or bypass filter has been designed with bar stock construction to provide reliable and economical filtration of streams having pressures up to 6,000 psig (41.37 MPa) at 70° F (20° C).

Materials of construction (standard) are 316 stainless steel and Teflon® for maximum service capability at economical prices. If a greater level of corrosion protection is required, this unit can be made (option) from Monel® or Hastelloy® C-276. The sintered 316 stainless steel filter element, with filtration ranges between 2 and 55 microns (μ), can be easily changed without removing the filter from the line. Standard connections are $\frac{1}{4}$ " FNPT. The optional bypass port is standard as $\frac{1}{8}$ " FNPT.

Features & Specifications

- Nominal ratings of filtration available:
 - 2–5 μ sintered 316 stainless steel
 - 5–9 μ sintered 316 stainless steel
 - 10–15 μ sintered 316 stainless steel
 - 20–30 μ sintered 316 stainless steel
 - 40–55 μ sintered 316 stainless steel
 - 100 μ 316 stainless steel mesh
 - 150 μ 316 stainless steel mesh
 - Available with optional bypass
-

GO Regulator

405 Centura Court • PO Box 4866 • Spartanburg, SC 29303
Phone (864) 574-7966 • Fax (864) 574-5608
www.goreg.com • sales@goreg.com

filters

F-6K In-line or Bypass Filter

How to Order

F6K 101700 - 3 I 1

FILTER STYLE & MATERIAL

- 101700** In-line, stainless steel, 1/4" FNPT connections
- 101830** 1/8" NPT bypass, stainless steel, 1/4" FNPT connections
- 101850** 1/4" FNPT bypass, stainless steel, 1/4" FNPT connections
- 102980** In-line, Monel®, 1/4" FNPT connections
- 102981** 1/8" FNPT, bypass, Monel®, 1/4" FNPT connections
- 102982** 1/4" FNPT bypass, Monel®, 1/4" FNPT connections
- 107476** In-line, stainless steel, 1/4" MNPT outlet, 1/4" FNPT inlet
- 107519** 1/8" bypass, stainless steel, 1/4" MNPT outlet, 1/4" FNPT inlet
- 107518** 1/4" bypass, stainless steel, 1/4" MNPT outlet, 1/4" FNPT inlet

VOLUME

- 1** Standard
- 2** Low volume

O-RING MATERIAL

- I** Teflon®
- D** Viton®

FILTER RATING

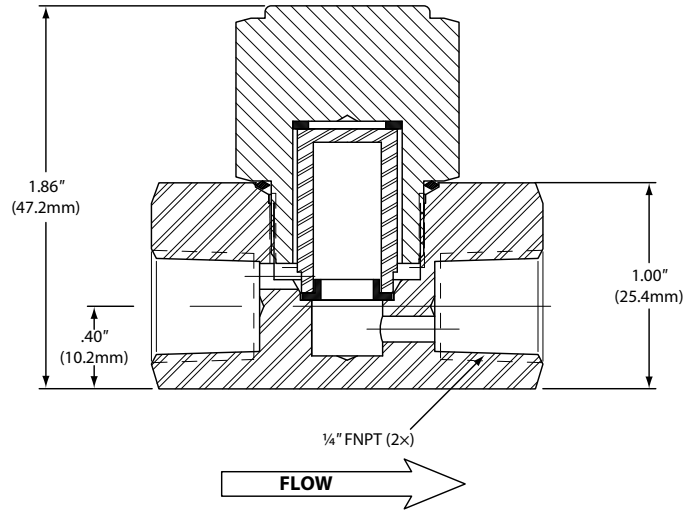
- 1** 2–5µ sintered 316 stainless steel
- 2** 5–9µ sintered 316 stainless steel
- 3** 10–15µ sintered 316 stainless steel
- 4** 20–30µ sintered 316 stainless steel
- 5** 40–55µ sintered 316 stainless steel
- 6** 100µ 316 stainless steel mesh
- 7** 150µ 316 stainless steel mesh

Maximum Temperature & Operating Inlet Pressures

Seal Material	Maximum Temperature	@	Operating Inlet Pressure
Viton®	70° F (20° C)	@	6,000 psig (41.37 MPa)
	175° F (80° C)	@	3,600 psig (24.82 MPa)
Teflon®	70° F (20° C)	@	6,000 psig (41.37 MPa)
	150° F (66° C)	@	3,600 psig (24.82 MPa)

Outline Dimensions

Weight = 0.6 lbs (0.27kg)



Repair Kit Information

Stainless Steel

Part Number	Description
101705	In-line 2–5µ range
101706	In-line 5–9µ range
101707	In-line 10–15µ range
101708	In-line 20–30µ range
101709	In-line 40–50µ range
101855	In-line 100µ mesh element
101833	Bypass 2–5µ range
101832	Bypass 5–9µ range
101834	Bypass 10–15µ range
101835	Bypass 20–30µ range
101836	Bypass 40–55µ range

Monel®

Part Number	Description
103861	In-line 2–5µ range
103862	In-line 5–9µ range
103863	In-line 10–15µ range
103864	In-line 20–30µ range
103865	In-line 40–50µ range
103866	Bypass 2–5µ range
103867	Bypass 5–9µ range
103868	Bypass 10–15µ range
103869	Bypass 20–30µ range
103870	Bypass 40–55µ range

Monel® is a registered trademark of Special Metals Corporation.

Hastelloy® C-276 is a registered trademark of Haynes International, Inc.

Viton® is a registered trademark of DuPont Dow Elastomers

Teflon® is a registered trademark of the DuPont Company.