

Filters

Index

F-4 Series Line Filter	1
F-6K Series Line Filter	3
Cyclone Single & Dual Element Type Filters	5



filters

F-4 Series In-line Filter



This filter is designed to be used as a standard in-line filter or it may easily be threaded into a pressure regulator or valve body for inlet protection. If desired, we will install this filter for you into any of our standard pressure control products prior to shipment.

For your special requirements, this filter can be custom manufactured from almost any machinable alloy. Let us know your requirement.

Features & Specifications

- Compact size
- Economical design
- Easily changed filter elements
- Stainless steel body (316 series) with Teflon® seals
- Nominal micron (μ) ratings of filtration available:
 - 10 μ sintered 316 stainless steel
 - 20 μ sintered 316 stainless steel
 - 50 μ sintered 316 stainless steel
 - 70 μ sintered 316 stainless steel
 - 100 μ 316 stainless steel mesh
 - 200 μ 316 stainless steel mesh
 - 300 μ 316 stainless steel mesh
- Pressures up to 6,000 psig (41.37 MPa)

GO Regulator

405 Centura Court • PO Box 4866 • Spartanburg, SC 29303
Phone (864) 574-7966 • Fax (864) 574-5608
www.goreg.com • sales@goreg.com

F-4 Series In-line Filter

How to Order

Part No. 102120-10 Standard filter with 10 micron nominal filtration

If other than the standard 10 micron (μ) filtration is desired, specify by the use of a dash number. For example: 102120-20 for 20 micron sintered 316 stainless steel filtration or 102120-200 for 200 micron stainless steel mesh filtration.

F4 102120 - 10

FILTER STYLE

102120 Stainless steel, 1/4" FNPT inlet, 1/4" MNPT outlet

FILTER RATING

10 10 μ sintered 316 stainless steel
20 20 μ sintered 316 stainless steel
50 50 μ sintered 316 stainless steel
70 70 μ sintered 316 stainless steel
100 100 μ 316 stainless steel mesh
200 200 μ 316 stainless steel mesh
300 300 μ 316 stainless steel mesh

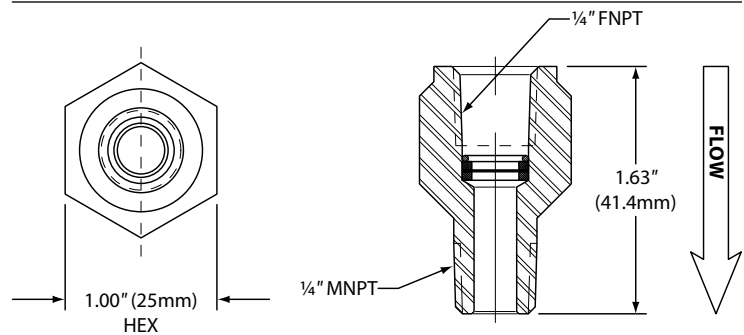
Maximum Temperature & Operating Inlet Pressures

Maximum Temperature	@	Operating Inlet Pressure
450° F (232° C)	@	6,000 psig (41.37 MPa)

Repair Kit Information

Part Number	Description
100089	Screen filter kit (specify porosity)
G100089-10	10 μ nominal filtration
G100089-20	20 μ nominal filtration
G100089-50	50 μ nominal filtration
G100089-70	70 μ nominal filtration
G100089-100	100 μ nominal filtration
G100089-150	150 μ nominal filtration
G100089-200	200 μ nominal filtration
G100089-300	300 μ nominal filtration

Outline Dimensions



GO REGULATOR

F-6K In-line or Bypass Filter



The F-6K in-line or bypass filter has been designed with bar stock construction to provide reliable and economical filtration of streams having pressures up to 6,000 psig (41.37 MPa) at 70° F (20° C).

Materials of construction (standard) are 316 stainless steel and Teflon® for maximum service capability at economical prices. If a greater level of corrosion protection is required, this unit can be made (option) from Monel® or Hastelloy® C-276. The sintered 316 stainless steel filter element, with filtration ranges between 2 and 55 microns (μ), can be easily changed without removing the filter from the line. Standard connections are $\frac{1}{4}$ " FNPT. The optional bypass port is standard as $\frac{1}{8}$ " FNPT.

Features & Specifications

- Nominal ratings of filtration available:
 - 2–5 μ sintered 316 stainless steel
 - 5–9 μ sintered 316 stainless steel
 - 10–15 μ sintered 316 stainless steel
 - 20–30 μ sintered 316 stainless steel
 - 40–55 μ sintered 316 stainless steel
 - 100 μ 316 stainless steel mesh
 - 150 μ 316 stainless steel mesh
 - Available with optional bypass
-

GO Regulator

405 Centura Court • PO Box 4866 • Spartanburg, SC 29303
Phone (864) 574-7966 • Fax (864) 574-5608
www.goreg.com • sales@goreg.com

filters

F-6K In-line or Bypass Filter

How to Order

F6K 101700 - 3 I 1

FILTER STYLE & MATERIAL

- 101700** In-line, stainless steel, 1/4" FNPT connections
- 101830** 1/8" NPT bypass, stainless steel, 1/4" FNPT connections
- 101850** 1/4" FNPT bypass, stainless steel, 1/4" FNPT connections
- 102980** In-line, Monel®, 1/4" FNPT connections
- 102981** 1/8" FNPT, bypass, Monel®, 1/4" FNPT connections
- 102982** 1/4" FNPT bypass, Monel®, 1/4" FNPT connections
- 107476** In-line, stainless steel, 1/4" MNPT outlet, 1/4" FNPT inlet
- 107519** 1/8" bypass, stainless steel, 1/4" MNPT outlet, 1/4" FNPT inlet
- 107518** 1/4" bypass, stainless steel, 1/4" MNPT outlet, 1/4" FNPT inlet

VOLUME

- 1** Standard
- 2** Low volume

O-RING MATERIAL

- I** Teflon®
- D** Viton®

FILTER RATING

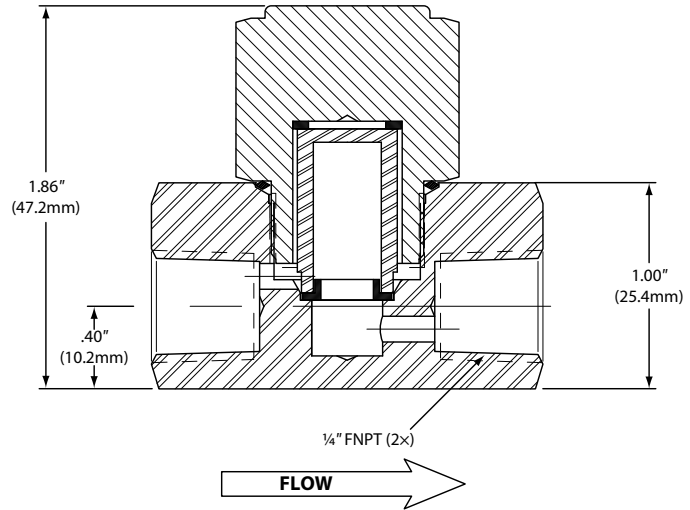
- 1** 2–5µ sintered 316 stainless steel
- 2** 5–9µ sintered 316 stainless steel
- 3** 10–15µ sintered 316 stainless steel
- 4** 20–30µ sintered 316 stainless steel
- 5** 40–55µ sintered 316 stainless steel
- 6** 100µ 316 stainless steel mesh
- 7** 150µ 316 stainless steel mesh

Maximum Temperature & Operating Inlet Pressures

Seal Material	Maximum Temperature	@	Operating Inlet Pressure
Viton®	70° F (20° C)	@	6,000 psig (41.37 MPa)
	175° F (80° C)	@	3,600 psig (24.82 MPa)
Teflon®	70° F (20° C)	@	6,000 psig (41.37 MPa)
	150° F (66° C)	@	3,600 psig (24.82 MPa)

Outline Dimensions

Weight = 0.6 lbs (0.27kg)



Repair Kit Information

Stainless Steel

Part Number	Description
101705	In-line 2–5µ range
101706	In-line 5–9µ range
101707	In-line 10–15µ range
101708	In-line 20–30µ range
101709	In-line 40–50µ range
101855	In-line 100µ mesh element
101833	Bypass 2–5µ range
101832	Bypass 5–9µ range
101834	Bypass 10–15µ range
101835	Bypass 20–30µ range
101836	Bypass 40–55µ range

Monel®

Part Number	Description
103861	In-line 2–5µ range
103862	In-line 5–9µ range
103863	In-line 10–15µ range
103864	In-line 20–30µ range
103865	In-line 40–50µ range
103866	Bypass 2–5µ range
103867	Bypass 5–9µ range
103868	Bypass 10–15µ range
103869	Bypass 20–30µ range
103870	Bypass 40–55µ range

Monel® is a registered trademark of Special Metals Corporation.

Hastelloy® C-276 is a registered trademark of Haynes International, Inc.

Viton® is a registered trademark of DuPont Dow Elastomers

Teflon® is a registered trademark of the DuPont Company.

Cyclone Single or Dual Element Bypass-type Filter



The Cyclone filter's unique design provides an unsurpassed combination of rapid response, minimum dead volume and high efficiency filtration. Using the proven bypass design, a large sample flow is passed through the filter body so the sample transport lag time is minimized. Only that portion of the sample needed for the process analyzer passes through the filter element. In this manner, low filtration rate and rapid response are both achieved. Careful flow design causes the unfiltered portion of the sample to sweep the filter element's surface to greatly extend the element's life. With the simple installation of a pipe plug in the bypass port, the Cyclone bypass filter can be converted to an in-line filter. All Cyclone filters have back-up screens to support the filter element and can be supplied with an optional stainless steel mounting bracket. Cyclone filters are available in three materials: 316L stainless steel, Monel®, and Hastelloy® C-276. On special order, filters can be supplied in most other machinable materials

Features & Specifications

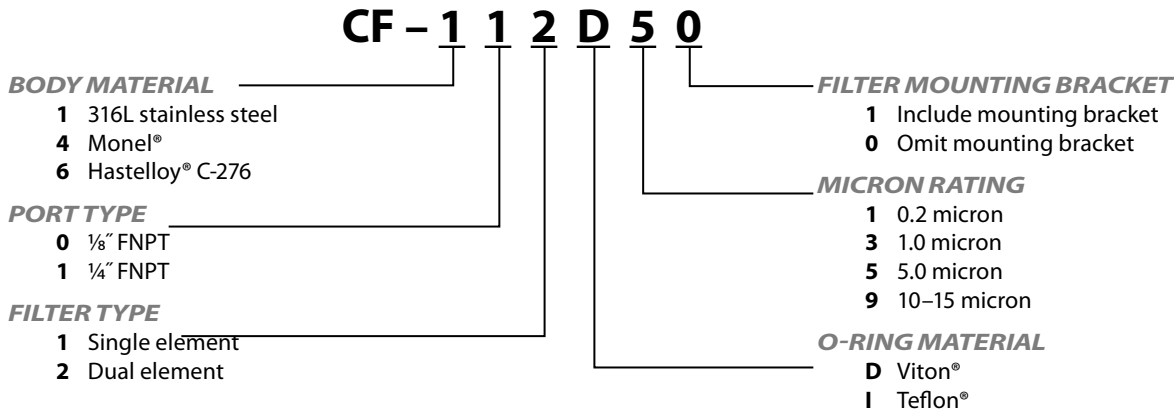
- Materials of construction are 316L stainless steel and Monel® (standard)
- Available in Hastelloy® C-276 and other machinable materials (optional)
- Filter element material is a Teflon® membrane
- O-ring seal material is available in either Viton® or Teflon®
- Available filter element porosities are 0.2, 1.0, 5.0 and 10–15 micron
- Minimum sample flow rate on filtered side is 100cc/min of vapor or 50ml/min of liquid
- Minimum process flow rate on bypass side should be about 10 times the filtered sample flow rate

GO Regulator

405 Centura Court • PO Box 4866 • Spartanburg, SC 29303
Phone (864) 574-7966 • Fax (864) 574-5608
www.goreg.com • sales@goreg.com

Cyclone Single or Dual Element Bypass-type Filter

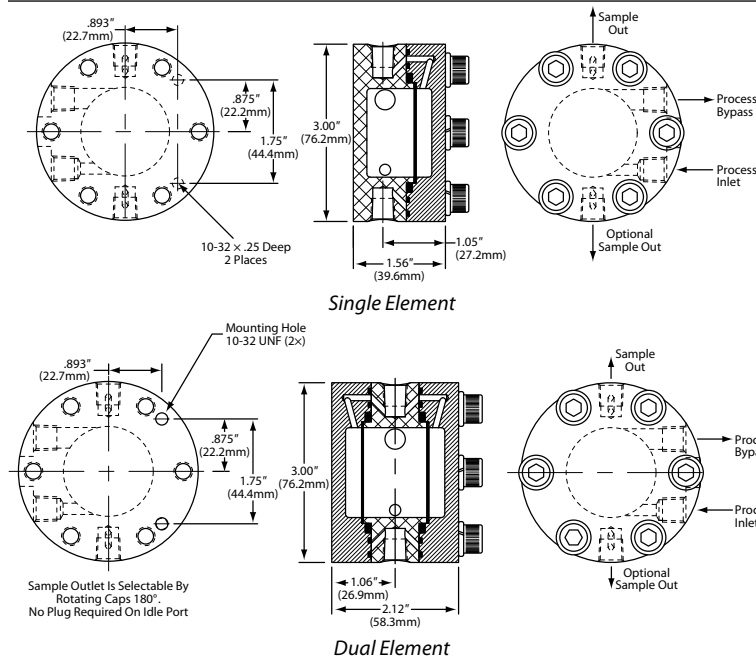
How to Order



Specifications

	Single Element	Dual Element
Body Material	316L stainless steel, Monel®, (Hastelloy® C-276)	
Filter Element Material	Teflon® membrane	
O-ring Seal Material	Teflon® or Viton®	
Filter Element Pore Sizes	0.2, 1.0, 5.0 & 10-15 microns	
Effective Filter Area	1.78 in ² (11.3 cm ²)	3.56 in ² (22.6 cm ²)
Internal Volume		
Filtered Side	0.45 in ³ (6.8 cm ³)	0.9 in ³ (13.6 cm ³)
Bypass Side	1.56 in ³ (25.3 cm ³)	1.8 in ³ (30.0 cm ³)
Pressure & Temperature Ratings	3,600 psig @ 70° F (20° C) 1,500 psig @ 175° F (80° C)	
Recommended Flow Rates	Minimum sample flow rate of 100 cc/min vapor or 50 ml/min liquid to minimize sample transport lag Process flow should be about 10 times sample flow	
Connections	All connections are 1/8" or 1/4" female NPT	
Weight	2.5 lbs (1.13 kg)	3.2 lbs (1.45 kg)

Outline Dimensions



Maximum Temperature & Operating Inlet Pressure

Seal Material	Maximum Temperature	@	Maximum Operating Inlet Pressure
Viton®	70° F (20° C)	@	3,600 psig (24.82 MPa)
	175° F (80° C)	@	1,500 psig (10.35 MPa)
Teflon®	70° F (20° C)	@	3,600 psig (24.82 MPa)
	150° F (66° C)	@	1,500 psig (10.35 MPa)

Repair Kit Information

Single Cyclone

Part Number	Description
100622-11	St. steel filter kit with Teflon® o-rings, 0.2µ filter element
100622-12	St. steel filter kit with Viton® o-rings, 0.2µ filter element
100622-21	St. steel filter kit with Teflon® o-rings, 1.0µ filter element
100622-22	St. steel filter kit with Viton® o-rings, 1.0µ filter element
100622-31	St. steel filter kit with Teflon® o-rings, 5.0µ filter element
100622-32	St. steel filter kit with Viton® o-rings, 5.0µ filter element
100622-41	St. steel filter kit with Teflon® o-rings, 10-15µ filter element
100622-42	St. steel filter kit with Viton® o-rings, 10-15µ filter element

Dual Cyclone

Part Number	Description
100623-11	St. steel filter kit with Teflon® o-rings, 0.2µ filter element
100623-12	St. steel filter kit with Viton® o-rings, 0.2µ filter element
100623-21	St. steel filter kit with Teflon® o-rings, 1.0µ filter element
100623-22	St. steel filter kit with Viton® o-rings, 1.0µ filter element
100623-31	St. steel filter kit with Teflon® o-rings, 5.0µ filter element
100623-32	St. steel filter kit with Viton® o-rings, 5.0µ filter element
100623-41	St. steel filter kit with Teflon® o-rings, 10-15µ filter element
100623-42	St. steel filter kit with Viton® o-rings, 10-15µ filter element

Monel® is a registered trademark of Special Metals Corporation.
Hastelloy® C-276 is a registered trademark of Haynes International, Inc.
Viton® is a registered trademark of DuPont Dow Elastomers
Teflon® is a registered trademark of the DuPont Company.



405 Centura Court
PO Box 4866 (29305)
Spartanburg, SC 29303
Tel (864) 574-7966
Fax (864) 587-5608
www.circortechnologies.com

Circle Seal Controls, Inc.

2301 Wardlow Circle
Corona, CA 92880
Tel (951) 270-6200
Fax (951) 270-6201
www.circle-seal.com

GO Regulator

405 Centura Court
PO Box 4866 (29305)
Spartanburg, SC 29303
Tel (864) 574-7966
Fax (864) 587-5608
www.goreg.com

HOKE, Inc.

405 Centura Court
PO Box 4866
Spartanburg, SC 29303
Tel (864) 574-7966
Fax (864) 587-5608
www.hoke.com

CIRCOR Instrumentation, Ltd.

1-3 Bouverie Road
Harrow
Middlesex, HA1 4HB
UK
Tel +44 (0) 20 8423 0113
Fax +44 (0) 20 8864 7008
www.circor.co.uk

HOKE Controls

1901 Lynx Place
Ontario, CA 91761
Tel (909) 923-3770
Fax (909) 923-2550

Panels Plus

1901 Lynx Place
Ontario, CA 91761
Tel (909) 923-3770
Fax (909) 923-2550
www.circor-panelsplus.com

CIRCOR Tech

405 Centura Court
PO Box 4866 (29305)
Spartanburg, SC 29303
Tel (864) 574-7966
Fax (864) 587-5608
www.circortech.com

HOKE GmbH

Weitzesweg 11
Postfach 15 41
D-61118 Bad Vilbel–Dortelweil
Germany
Tel +49-6101-82 56 0
Fax +49-6101-82 56 40
www.hoke.de

TOMCO

51 Zima Park
PO Box 4866 (29305)
Spartanburg, SC 29303
Tel (864) 574-7966
Fax (864) 587-5608
www.tomcoquickcouplers.com

LIMITED WARRANTY

ALL CIRCLE SEAL CONTROLS, INC., GO REGULATOR, AND HOKE INC. PRODUCTS ARE MADE TO EXACTING STANDARDS OF DESIGN, MATERIAL, WORKMANSHIP AND QUALITY CONTROL AND ARE WARRANTED TO BE FREE OF DEFECTS IN MATERIAL AND WORKMANSHIP AND REASONABLY FIT FOR THE USES SET FORTH IN SELLER'S CATALOG OR THE CONTRACT SPECIFICATIONS FOR A PERIOD OF ONE YEAR AFTER SALE IF PROPERLY INSTALLED AND MAINTAINED AND UNDER THE NORMAL USE AND SERVICE FOR WHICH THE EQUIPMENT IS INTENDED. BUYER TO INSPECT THE GOODS WITHIN TEN DAYS OF DELIVERY AND TO THEN IMMEDIATELY NOTIFY SELLER OF ANY DEFECTS IN ORDER TO CLAIM A DEFECT. THIS WARRANTY IS IN LIEU OF ALL OTHER WARRANTIES WHETHER THEY ARE STATUTORY, EXPRESS OR IMPLIED, INCLUDING AMONG OTHER THINGS ANY IMPLIED WARRANTY OF MERCHANTABILITY FITNESS FOR A PARTICULAR PURCHASE NOT SET FORTH IN SELLER'S CATALOG, AND ALSO DOES NOT APPLY TO ANY PRODUCTS OF SELLER WHICH HAVE BEEN REPAIRED, ALTERED OR MODIFIED OR HAVE BEEN SUBJECT TO MISUSE OR ABUSE. SELLER IS NOT LIABLE FOR ANY CONSEQUENTIAL, INCIDENTAL OR SPECIAL DAMAGES RESULTING DIRECTLY OR INDIRECTLY FROM THE DESIGN, MATERIAL, WORKMANSHIP, OPERATION OR INSTALLATION OF ANY OF ITS PRODUCTS AND NEITHER ASSUMES NOR AUTHORIZES ANY OTHER PERSON TO ASSUME FOR IT ANY OTHER LIABILITY IN CONNECTION THEREWITH. BUYER'S EXCLUSIVE REMEDY SHALL BE THE REPAIR OR REPLACEMENT OF ANY SUCH DEFECTIVE PRODUCT AFTER VERIFICATION BY SELLER. THIS WARRANTY IS IN EFFECT UNLESS SUPERSEDED BY LIMITED WARRANTY, FORM NO. 2299 (4/83)